

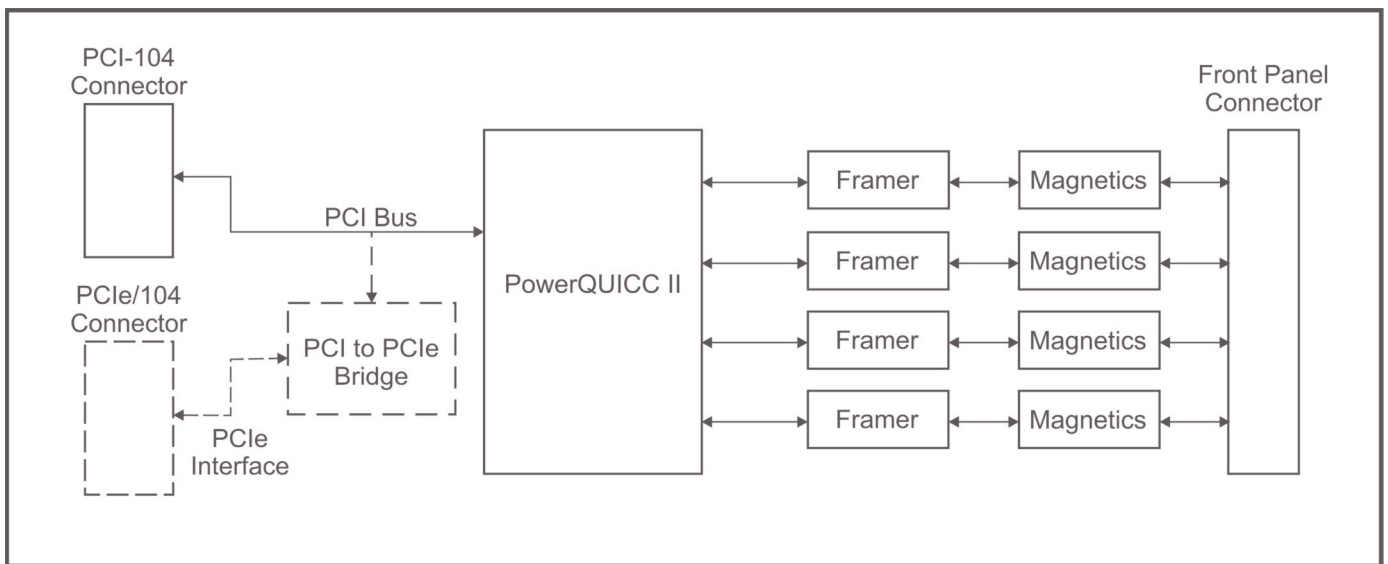
► 4-Channel E1/T1 Telecomms PCI/104-Express Adapter

The 4-Channel E1/T1 Telecomms PCI/104-Express Adapter is an intelligent I/O adapter with onboard processing using a Motorola PowerQUICC II Integrated PowerPC Microprocessor as a communication controller and offering four E1/T1 telecommunications channels, as well as two channels of simultaneous, bi-directional RS-232 UART (Universal Asynchronous Receiver/Transmitter) serial communications.

The E1 option has been verified against the Digium Wildcard E100P and the Sangoma A101c E1/T1 Telecomms Adapters.

The adapter is offered in the following industry standard compliant formfactors :

- PCI/104-Express
- PCIe/104
- PCI-104



4-Channel E1/T1 Telecomms PCI/104-Express Adapter

Features

- exact functionality can be tailored to meet customer requirements
- Front Panel I/O options with various connector pin assignments



► **4-Channel E1/T1 Telecomms PCI/104-Express Adapter**

Specifications	
Host Interface	Single-Lane PCIe, 2,5 GHz, PCI Express Rev. 2.0 (PCI/104-Express and PCIe/104) 32-bit PCI, 33 and 66 MHz, PCI Rev. 2.2, 3,3 V signalling (PCI-104)
EEPROM	EEPROM for board ID (Plug-and-Play) and configuration options
Interrupts	PCI INT A
I/O Options	Front Panel I/O options with various connector pin assignments
CPU	Motorola PowerQUICC II Integrated PowerPC Microprocessor
Power	3,3 V at 1,4 A 12,0 V at 1 mA
Software Drivers	Various software drivers including for VxWorks and Linux Operating Systems as standard, others are costed options

Characteristics		
Formfactor	Dimensions	Mass
PC/104	96,0 mm x 90,0 mm x 23,8 mm	90 g +/- 10 g

Reliability			
MTBF	Figures according to MIL-HDBK-217F, Parts Stress Method		
	Commercial and Industrial Grades	Ground Benign, Controlled, 25 C	130 000 hours
	Ruggedised Grade	Ground, Mobile, 45 C Naval, Sheltered, 40 C Airborne, Inhabited Cargo, 55 C	23 000 hours 37 000 hours 28 000 hours

Environmental Specifications			
	Commercial Grade	Industrial Grade	Ruggedised Grade
Temperature - Operating - Storage	0 C to +55 C -40 C to +85 C	-15 C to +75 C -50 C to +85 C	-40 C to + 85 C -60 C to +125 C
Humidity	0% - 90%	0% - 95%	0% - 95%
Shock	N/A	30 g peak for 11 ms	40 g peak for 11 ms
Vibration - Sine - Random	2 g (peak) 10 Hz to 100 Hz 0,04 g ² /Hz at 15 Hz to 2 kHz	10 g (peak) 5 Hz to 2 kHz 0,1 g ² /Hz at 15 Hz to 2 kHz	10 g (peak) 5 Hz to 2 kHz 0,1 g ² /Hz at 15 Hz to 2 kHz

4-Channel E1/T1 Telecomms Board-Level



Force Multiplication through Information Technology®

Advance



► **4-Channel E1/T1 Telecomms PCI/104-Express Adapter**

Part Selector			
Part Designation	Formfactor	Grade	I/O Connector Type
CCII/UTA/PCI104E/4E1T1/FP/COM	PCI/104-Express	Commercial	Front Panel I/O
CCII/UTA/PCI104E/4E1T1/FP/IND	PCI/104-Express	Industrial	Front Panel I/O
CCII/UTA/PCI104E/4E1T1/FP/RGD	PCI/104-Express	Ruggedised	Front Panel I/O
CCII/UTA/PCIE104/4E1T1/FP/COM	PCIE/104	Commercial	Front Panel I/O
CCII/UTA/PCIE104/4E1T1/FP/IND	PCIE/104	Industrial	Front Panel I/O
CCII/UTA/PCIE104/4E1T1/FP/RGD	PCIE/104	Ruggedised	Front Panel I/O
CCII/UTA/PCI104/4E1T1/FP/COM	PCI-104	Commercial	Front Panel I/O
CCII/UTA/PCI104/4E1T1/FP/IND	PCI-104	Industrial	Front Panel I/O
CCII/UTA/PCI104/4E1T1/FP/RGD	PCI-104	Ruggedised	Front Panel I/O